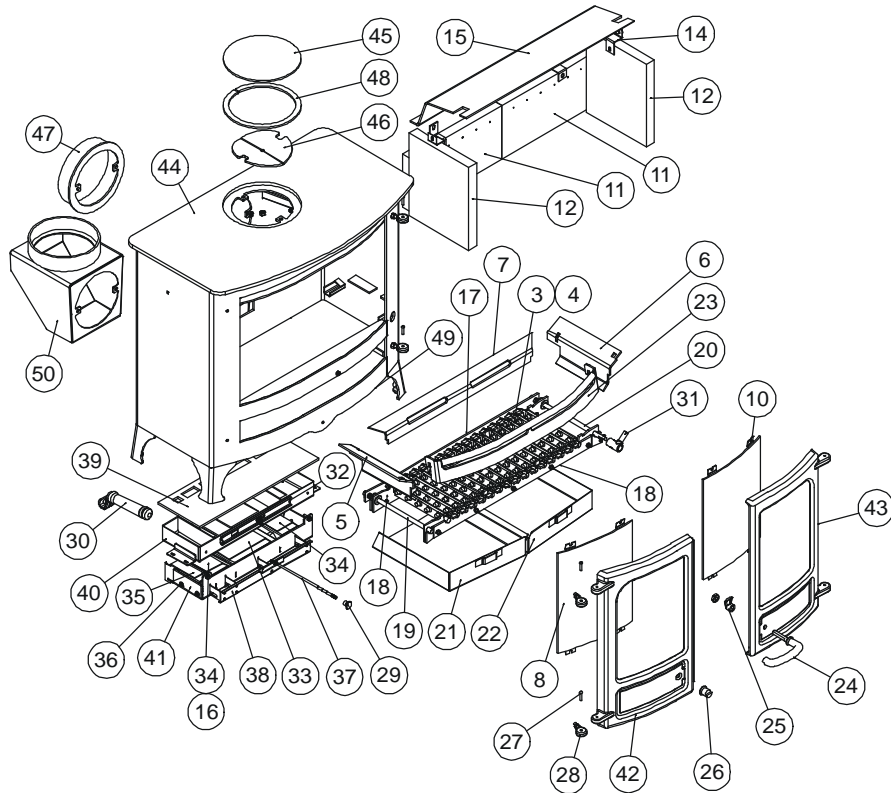


Charnwood Island III

Parts List



Item	Part No.	Description	Item	Part No.	Description
1*	008/CY40S	Door Seal Set Inc. Adhesive	36	004/CY24	Flap Mounting Rod (inc. fixings)
2*	008/FW29	Door Seal Adhesive	37	004/CY32	Air Control Rod
3	002/CG20	Bottom Grate Bar	38	004/CY23	Actuator Assembly
4	002/CG20S12	Set of Grate Bars (12)	39	008/CY39	Upper Quattro Box Gasket
5	010/CY13L	Side Fire Plate L.H.	40	010/CY20	Upper Quattro Box
6	010/CY13R	Side Fire Plate R.H.	41	010/CY19	Lower Quattro Box
7	010/CY16	Back Fire Plate	42	002/CY01	Left Hand Door
8	006/CY18	Glass	43	002/CY02	Right Hand Door
9*	008/AY45	Glass Seal	44	001/CY10	Firebox (Island III)
10	004/KV23	Glass Retainer	45	010/CY37	Blanking Plate
11	011/CY29	Rear Brick	46	010/CY61	Clamping Plate
12	011/LV28	Side Fire Brick	47	002/CY35	Flue Collar
13	011/CY29S	Set of Fire Bricks (4)	48	010/CY36	Flue Spacer Ring
14	004/XV30	Brick Retainer	49	012/CY11	Serial No. Label
15	010/CY31	Throat Plate	50	010/CY34	Vert. Rear Flue Connector (Opt'l Extra)
16	008/CY26S	Set of Air Inlet Flap Pads	51*	010/BW51	Ash Carrier (Optional Extra)
17	012/CY33	Mover Bar			
18	002/CY30	Carrier Bar			
19	012/AY13	Idler Rod			
20	012/AY15	Riddler Rod			
21	004/CY17L	Ashpan L.H.			
22	004/CY17R	Ashpan R.H.			
23	002/CY07	Front Firebar			
24	008/KV16	R.H. Door Handle			
25	002/AY14	Door Catch Cam			
26	008/KV13	L.H. Door Knob			
27	008/BW39/S	Hinge Pin Set (4 per set)			
28	002/AY28	Hinge Post			
29	008/AY37	Air Control Knob			
30	010/AY34	Riddling/Ashpan Tool			
31	002/AY27	Riddler Knob			
32	004/CY21	Air Bypass Slide			
33	004/CY22P	Primary Air Inlet Flap			
34	004/CY22S	Secondary Air Inlet Flap			
35	004/AY22-1S	Bypass Air Flap			

* These items are not shown on the drawing.



To obtain spare parts please contact your local stockist giving Model, Part No. and Description. In case of difficulty contact the manufacturer at the address shown.

This drawing is for identification purposes only.

CHARNWOOD Bishops Way, Newport, Isle of Wight PO30 5WS, United Kingdom

T: +44 (0)1983 537777 F: +44 (0)1983 537788 charnwood@ajwells.co.uk www.charnwood.com